



comer industries

Quality system certified
UNI EN ISO 9001

www.comerindustries.com

500 Dg A
Hinterachse
Neue Version

ab September 2014

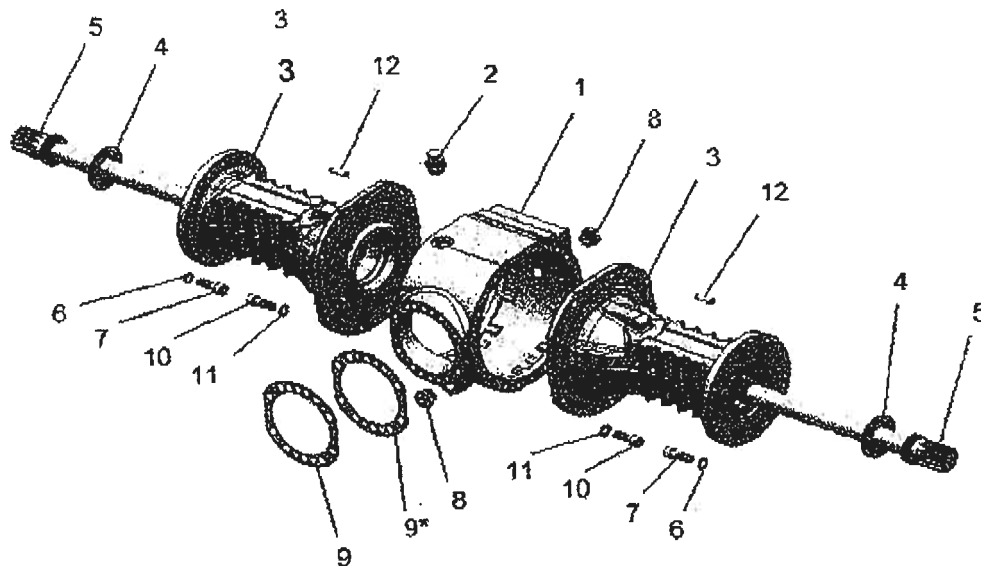
SPARE PARTS LIST

SERIES 068

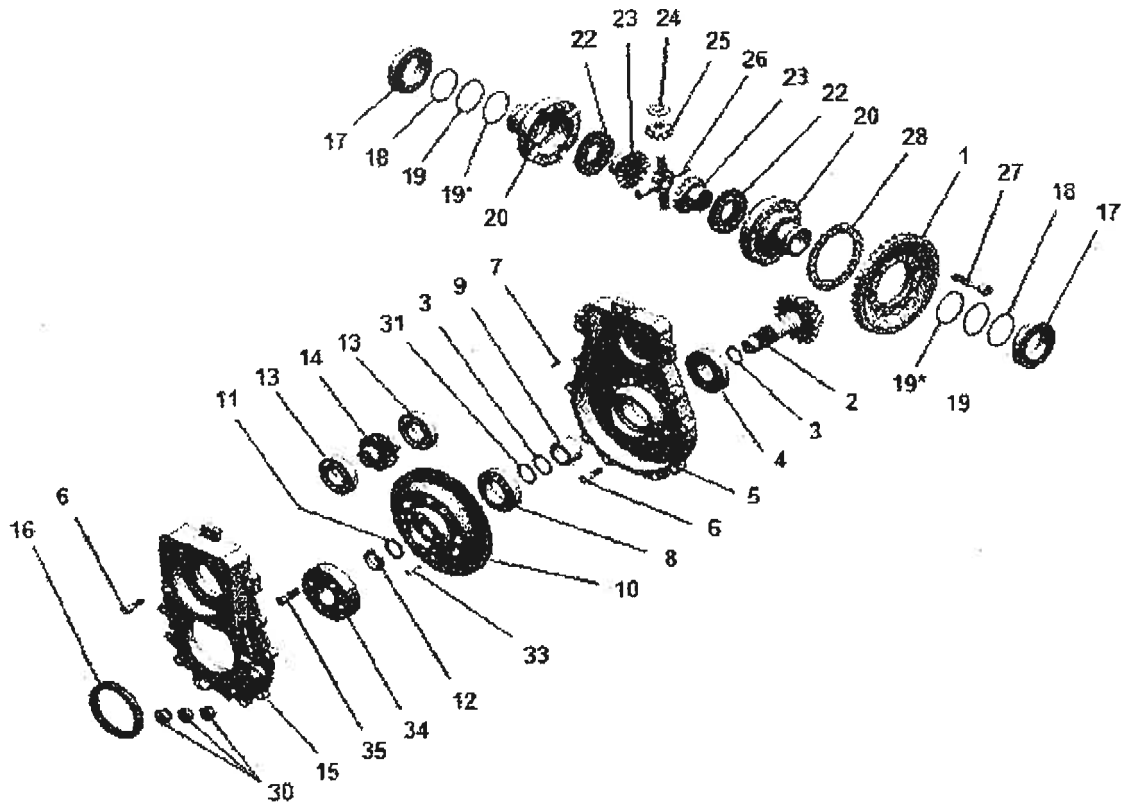
Code: F068.30012.001.A01

Rigid drive axle

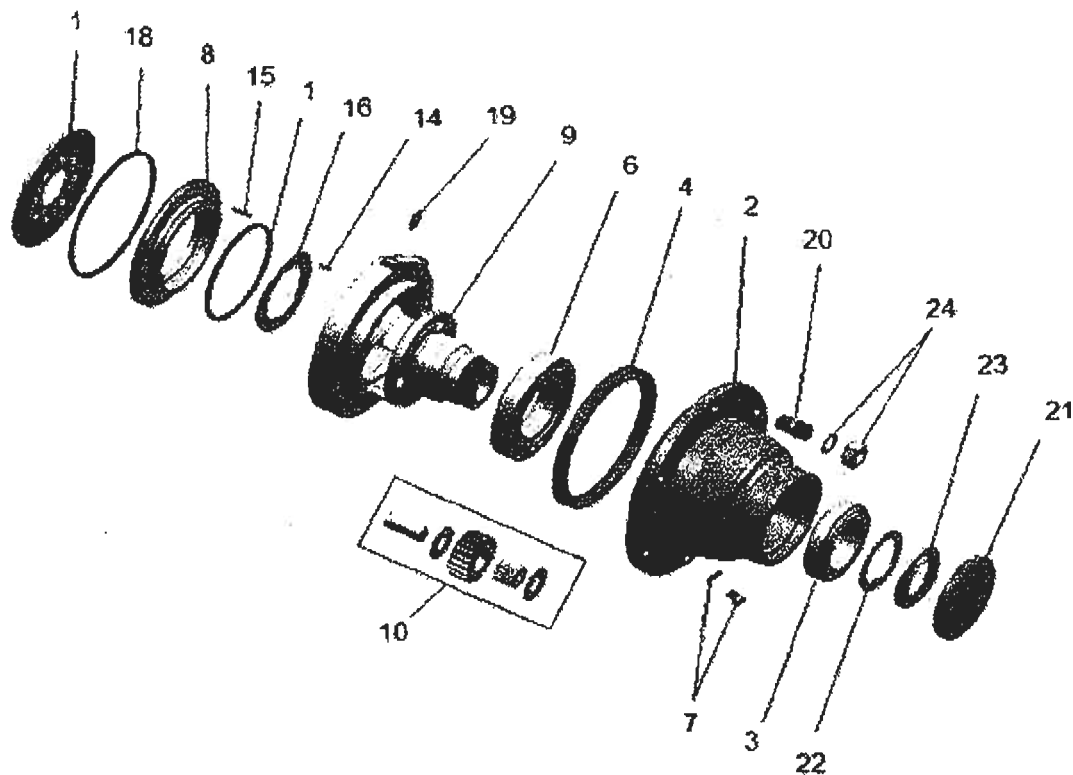
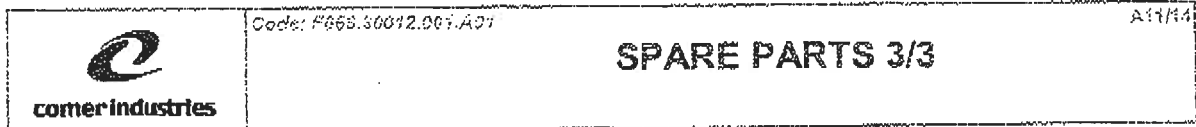
Attn	First Issue
Release	Description



Pos.	Part number	Description	Q.ty	Pos.	Part number	Description	Q.ty
1	0000.092.423	Central housing	1				
2	9510.170.000	Oil plug M22x1,5	1				
3	0000.092.748	Side housing	2				
4	0000.155.403	Sun gear washer	2				
5	0000.172.227	Drive shaft	2				
6	0510.000.105	Washer D.10	18				
7	0010.010.030	Socket head screw M10x30	18				
8	3123.000.022	Cap M22x1,5 DIN 909	2				
9	0000.180.199	Paper gasket 0,2	2				
9*	0000.180.265	Paper gasket 0,1	1				
10	0013.012.035	Socket head screw M12x35	16				
11	0510.000.130	Washer D.12	16				
12	0655.001.028	Parallel pin Ø10x30	6				



Pos.	Part number	Description	Q.ty	Pos.	Part number	Description	Q.ty
504.704 Bevel pinion assembly 1				504.528 Differential gear assembly 1			
2	0000.178.134	Bevel pinion Z=17	1	1	0000.178.135	Bevel ring gear Z=38	1
3	1120.000.086	O-ring 4112	1	20	0000.089.506	Diff. half housing	1
4	8.0.9.00128	Taper rolling bearing 30308	1	22	9160.130.050	LMS disc package	2
5	0000.092.567	Pinion Housing	1	23	0000.176.055	Crown Wheel	2
8	8.0.9.01090	Taper rolling bearing 32210	1	24	0000.155.407	Side pinion shim	4
9	0000.106.839	Spacer	1	25	0000.176.053	Side pinion	4
10	0000.174.122	Output gear	1	26	0000.094.423	Spider	1
11	0872.000.407	Shim AS 3047	1	27	0013.014.070	Socket screw M14x70 12.9	8
12	0620.000.030	Self-locking nut M30x1.5	1	28	0000.127.173	Crown spacer	1
13	8.0.1.00871	Ball bearing 6208	1	502.965 Cover assembly 1			
31	0780.010.028	Shim PS 35x45x0,1	\	13	8.0.1.00871	Ball bearing 6208	1
32	0780.030.268	Shim PS 35x45x0,3	\	14	0000.174.129	Input gear	1
6	0013.012.035	Socket screw M12x35 12.9	19	15	0000.092.566	Cover pinion	1
7	0655.001.028	Parallel pin diam. 10x30	4	16	1111.000.163	Oil seal BASL 95x120x12	1
17	8.0.9.01550	Taper roller bearing 32012	2	30	3123.000.022	Plug EE M22x1.5	3
18	0000.155.412	Shim ø61x70x0,1	/	n.f.	8.1.1.01093	Hex head screw M14x20	1
19	0000.155.413	Shim ø61x70x0,3	/	n.f.	9440.372.100	Washer D.14	1
19*	0.248.7535.00	Shim ø60,3x71,7x0,35	/				
33	0655.000.620	Cylindrc pin D.6x20	2				
34	9540.312.100	Socket head screw M10x30	4				
35	0000.111.676	Cardan flange	1				



Pos.	Part number	Description	Q.ty	Pos.	Part number	Description	Q.ty
	505.498	Wheel hub assembly	2				
1	0000.210.506	Brake disc	1				
2	0000.094.597	Wheel hub	1				
3	8.0.9.01550	Bearing 32012X	1				
4	9020.723.101	Oil seal BASL 145x170x12	1				
6	8.0.9.00184	Bearing 30214	1				
7	9510.018.085	Cap M10x1 DIN908	1				
	9440.253.004	Copper washer 10x16x1,5	1				
8	0000.092.507	Brake piston	1				
9	0000.092.940	Spindle	1				
10	0000.505.313	Planetary gear pin	3				
14	9490.278.100	Parallel pin 5x12	1				
15	0655.000.620	Parallel pin 6x20	3				
16	0000.155.450	Brake ring	1				
17	1122.000.005	Square ring 237-993-9780	1				
18	1122.000.010	Square ring 238-956-9707	1				
19	2911.000.501	Brake bleeder M10x1	1				
20	2292.018.035	Stud bolt M18x1,5 10.9	6				
21	8.7.0.00975	Cap	1				
22	0000.155.454	Lock washer	1				
23	0.783.7100.00	Locknut M55x2	1				
n.r	0000.155.410	Sun gear shim	1	24	0266.001.815	Nut M18x1.5 MF	12
					0435.000.018	Elastic washer D. 18	12